

**MOTOR
POWER**
COMPANY



SEE IT **BEFORE** IT HAPPENS

**GEARLESS
MOTOROLLER
AND PALLET
CONVEYOR**

GEARLESS MOTOROLLER AND PALLET CONVEYOR

*Introducing the future
in sorting and material
handling technology*



*Complete
technological
innovation
in movement*

Motor Power Company keeps developing new concepts in sorting and material handling.

Our goal is sharing with the market our domain expertise in intralogistics; innovative solutions through our gearless and geared technology products. We propose motion control bundles composed by gearless motorollers and smart drives.

All our solutions are in-house developed and are particularly oriented for control, movement, storage and protection of materials and products throughout manufacturing, sorting, warehousing, distribution, consumption and disposal.

Motor Power Company specialises in the design, development and manufacturing of high performance industrial motion solutions. We have acquired consolidated expertise and technical know-how from 30 years experience with all kinds of applications and through our continuous commitment to research and development.

This allows us to partner leading international companies in the supply of products and solutions for automation and motion control.



GEARLESS MOTOROLLERS AND DRIVES

Increased efficiency and limitless performances

Motor Power Company introduces these perfect matched bundles constituted by gearless motorollers and smart drives. Everything has been conceived as a specific product for conveyor, crossbelt or any roller transfer systems.

Two versions are proposed; frameless cartridges without tube, to be inserted into the roller to be moved, and power pack version, a ready to use motoroller embedded in its own tube. The technology on which the motor is based comes from the direct drive torque motors. Consequently, the motion is transmitted directly from the motoroller to the load, without any gears.

Motoroller without gears ensures:

> HIGH MTBF

as the motoroller needs less components than the standard kinematic chain

> SYSTEM EFFICIENCY INCREASE

due to the absence of gears inside the motoroller

> ACCURACY

due to the feedback reliability

> HIGH DYNAMIC

thanks to the direct drive technology

> EASY REPLACEMENT

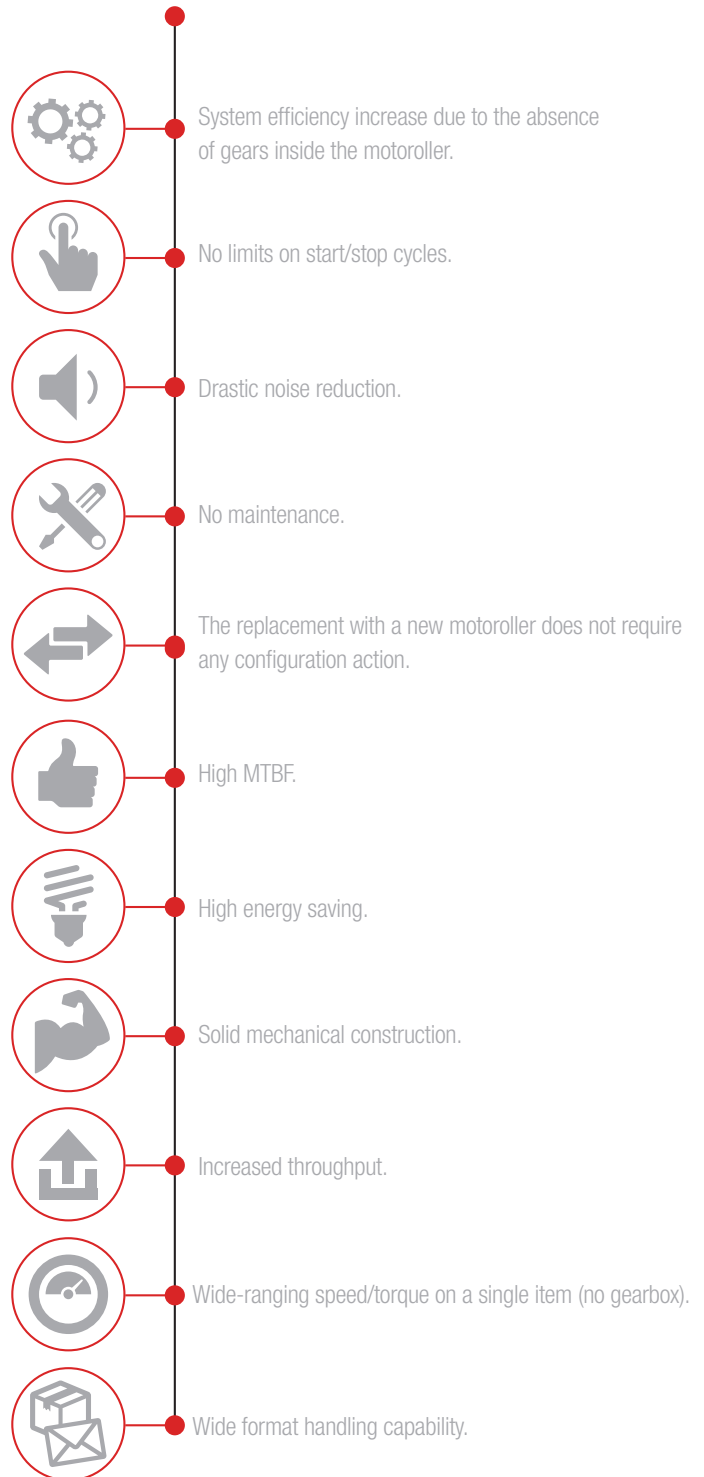
with the autotuning system of DMR Drives, the substitution with a new motoroller does not require any configuration action

> EASY COMMISSIONING

due to a unique part number, there are no different gearbox ratios to handle according to different speed needs

> WIDE SPEED AVAILABILITY

one motoroller for all speed range



THE GEARLESS MOTOROLLER SERIES AT A GLANCE

GEARLESS MOTOROLLER 46 Cartridge version 800rpm@24-48 Vdc

Frameless gearless cartridge motoroller for general conveyor applications. Suitable for 50mm roller tube integration, roller tube range available on request



Features

- » Two models
- » Rated power 50 Watt and 115 Watt
- » Rated torque 0,6 Nm and 1,35 Nm
- » Hall sensors and encoder feedback for higher precision
- » Cartridge diameter 46 mm suitable for all 50 mm diameter tube
- » 24 and 48Vdc power supply
- » Full speed control
- » Wide roller customization

GEARLESS POWER PACK MOTOROLLER 60 800rpm@60 Vdc

Tube equipped gearless motoroller for cross belt driving and controlling



Features

- » Ready to use motoroller 60mm diameter
- » Rated power 235 Watt
- » Rated torque 2,8 Nm
- » 60Vdc power supply
- » Full speed control

GEARLESS MOTOROLLER 76 Cartridge version 800rpm@48-65 Vdc

Gearless cartridge motoroller for cross belt driving and controlling. Suitable for 80mm roller tube integration, roller tube range available on request



Features

- » Rated power 260 Watt
- » Rated torque 3,1 Nm
- » Encoder feedback for higher precision
- » Cartridge diameter 76 mm suitable for all 80 mm diameter tube
- » 48 and 65 Vdc for power supply
- » Full speed control
- » Wide roller customization

THE DRIVE SERIES AT A GLANCE

DMR 50-5/50 DUAL AXES DRIVE



The perfect matched drive for enhancing motoroller 46 features

Features

- » Dual axes operation
- » 24 and 48 Vdc operating supply voltage
- » Encoder and Hall Sensor feedback
- » CanOpen Fieldbus
- » RS485 programming interface
- » I/O programmability for speed, start and stop control

LITE PRO DRIVE



Lite Pro drive is ideal for controlling motoroller 60

Features

- » 24 and 48 Vdc operating supply voltage
- » Encoder and Hall Sensor feedback
- » CanOpen Fieldbus
- » I/O programmability for speed, start and stop control

DMR 76-10/65



Motoroller 76 matches drive DMR 76-10/65 for the perfect bundle

Features

- » 24 and 65 Vdc operating supply voltage
- » Encoder and Hall Sensor feedback
- » Profibus Fieldbus
- » I/O programmability for speed, start and stop control
- » I/O proxy dual loop

»» ***PALLET CONVEYOR MOTOROLLER***

*Geared solution
for driving pallet conveyor
application*



Pallet Conveyor allows efficient transport, accumulation, lifting and sorting of heavy loads as an alternative to forklifts handling. In warehouse automation operations a pallet conveyor is generally utilized to move loads of several hundreds kilograms while ensuring continuous feed of work and cutting edge efficiency. The high-performance synchronous brushless servomotor, coupled with planetary gearbox, ensures performance with loads up to 1500 kg per zone.

- > **ROBUST MECHANICAL DESIGN**
- > **HIGH DYNAMICS**
- > **EASY CONVEYOR DESIGN**
- > **THE REPLACEMENT WITH A NEW MOTOROLLER
DOES NOT REQUIRE ANY CONFIGURATION ACTION**
- > **HIGH MTBF**
- > **HIGH ENERGY SAVING**



SEE IT BEFORE IT HAPPENS

**MOTOR
POWER**
COMPANY

PALLET CONVEYOR MOTOROLLER

POWER PACK MOTOROLLER 70



MOTOROLLER geared solution for driving pallet conveyor application

Features

- » Ready to use pallet conveyor motoroller
- » Rated power 265 Watt
- » Planetary gear box ratio 1:35
- » Tube diameter 70mm
- » Conveyor velocity 22,2 m/min (0,37 m/sec)
- » Load up to 1500 Kg
- » Supply voltage available: 48 Vdc, 230 Vac, 400 Vac

POWER PACK MOTOROLLER 89

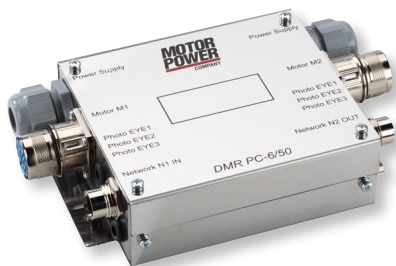


MOTOROLLER geared solution for driving pallet conveyor application

Features

- » Ready to use pallet conveyor motoroller
- » Rated power 400 Watt
- » Planetary gear box ratio 1:45
- » Tube diameter 89mm
- » Conveyor velocity 16,2 m/min (0,27 m/sec)
- » Load up to 1500 Kg
- » Supply voltage available: 48 Vdc, 230 Vac, 400 Vac

DRIVE DMR PC 6/50



DMR PC 6/50 drive allows for the perfect match with the Pallet Conveyor Motoroller 70 and 89, ensuring optimal bundling performance

Features

- » Dual axes operation
- » 48 Vdc operating supply voltage
- » Nominal current 6 A
- » Peak current 15 A
- » Ethercat, Profinet and Ethernet IP Fieldbus
- » 3 photoeyes inputs
- » Digital I/O

**»» *DISCOVER
OUR PRODUCT
RANGE***

MOTOROLLER FRAMELESS - GEARLESS CARTRIDGE ONLY



1	Model	MTR FL 46 MTR FL 76
2	Size	MTR FL 46 75 - 140 MTR FL 76 100
3	Winding	MTR FL 46 06 (*) - 13 <small>(*) winding 06 for MTR FL 46,75 only</small> MTR FL 76 14
4	Feedback	H1 Hall Sensor E1 Incremental encoder ABZ - 3584 cpr
5	Connection	D0 - cable output with connectors

MOTOROLLER POWER PACK - GEARLESS MOTOROLLER WITH TUBE

MTR PP	76	100	14	H1	D0	01	-	80	-	XXX
Model	Size	Winding	Feedback	Connection	Fixed shaft	Tube type	Tube length	Indle shaft	Optional	
1	2	3	4	5	6	7	8	9	10	



1	Model	MTR PP 46 MTR PP 60 MTR PP 76
2	Size	MTR PP 46 75 - 140 MTR PP 60 150 MTR PP 76 100
3	Winding	MTR PP 46 06 (*) - 13 (*) winding 06 for MTR PP 46.75 only MTR PP 60 21 MTR PP 76 14
4	Feedback	H1 Hall Sensor E1 Incremental encoder ABZ - 3584 cpr
5	Connection	D0 - cable output with connectors
6	Fixed shaft	01 - Male tread
7	Tube type(*)	01 - Standard tube 02 - Double grooved tube 04 - Poly-V pulley tube (**) 05 - Double grooved pulley tube 06 - Tapered sleeves tube 07 - Double grooved and tapered sleeves tube 08 - Poly-V and tapered sleeves tube (**) 09 - Double grooved pulley and tapered sleeves tube (*) for MTR PP 46 only (**) This version is not available for sale in Germany
8	Tube length in mm(*)	Referral "R" on drawings (*) For MTR PP 60 length is fixed
9	Indle shaft(*)	AA: hex spring loaded AB: female thread AC: poly-V hex spring loaded AD: poly-V thread (*) for MTR PP 46 only

DMR 50-5/50 DRIVE TYPE

DMR	50-5/50	E	C	0
Drive Name	Model	Feedback	Fieldbus	Input logic
	1	2	3	4



- 1 Drive model 50-5/50
- 2 Feedback H = Hall sensor
E = Incremental encoder
- 3 Fieldbus C = CANopen
- 4 Input Logic 0 = PNP input
1 = NPN input

DMR 76-10/65 DRIVE TYPE

DMR	76-10/65	E	P
Drive Name	Model	Feedback	Fieldbus
	1	2	3



- 1 Drive model 76-10/65
- 2 Feedback H = Hall sensor
E = Incremental encoder
- 3 Fieldbus P = Profibus

LITE PRO DRIVE TYPE

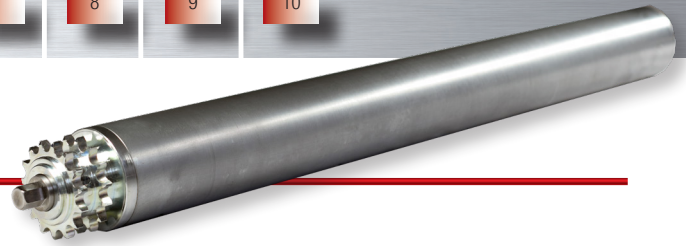
LPRO	E	40	C
Drive Name	Feedback	Model	Fieldbus
	1	2	3



- 1 Feedback E = Hall sensor and encoder
- 2 Model (output current) Arms 40 = 8/24
- 3 Fieldbus C = CANopen

PALLET CONVEYOR MOTOROLLER POWER PACK

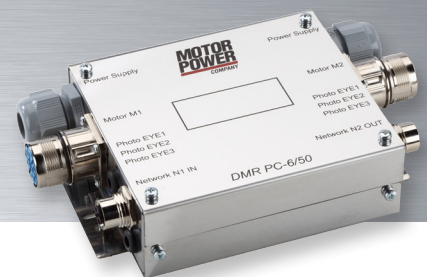
MTR PP	89	045	04	H1	D0	01	01	800	AA	XXX
Model	Size	Winding	Feedback	Connection	Fixed shaft	Tube type	Tube length	Indle shaft	Optional	
1	2	3	4	5	6	7	8	9	10	



1	Model	MTR PP 70 MTR PP 89
2	Size	MTR PP 70 045 MTR PP 89 045
3	Winding	MTR PP 70 01 - 04 MTR PP 89 01 - 04 - 15
4	Feedback	H1 Hall Sensor
5	Connection	D0 = cable output with M15 connectors D1 = cable output with M23 connectors D2 = cable output with Harting A0 = cable output with free wires
6	Fixed shaft	01 - Male tread
7	Tube type	01 - Standard tube
8	Tube	length in mm See drawings reference "R" letter
9	Indle shaft	AA: hex spring loaded AB: female thread
10	Optional	02 brake

DMR PC 6/50 DRIVE TYPE

DMR	PC6/50	H	E
Drive Name	Model	Feedback	Fieldbus
	1	2	3



1	Drive model	PC 6/50
2	Feedback	H = Hall sensor
3	Fieldbus	E = Ethercat E I = Ethernet IP P = Profinet

SEE IT BEFORE IT HAPPENS



MOTOROLLER 46 RATINGS AND SPECIFICATIONS

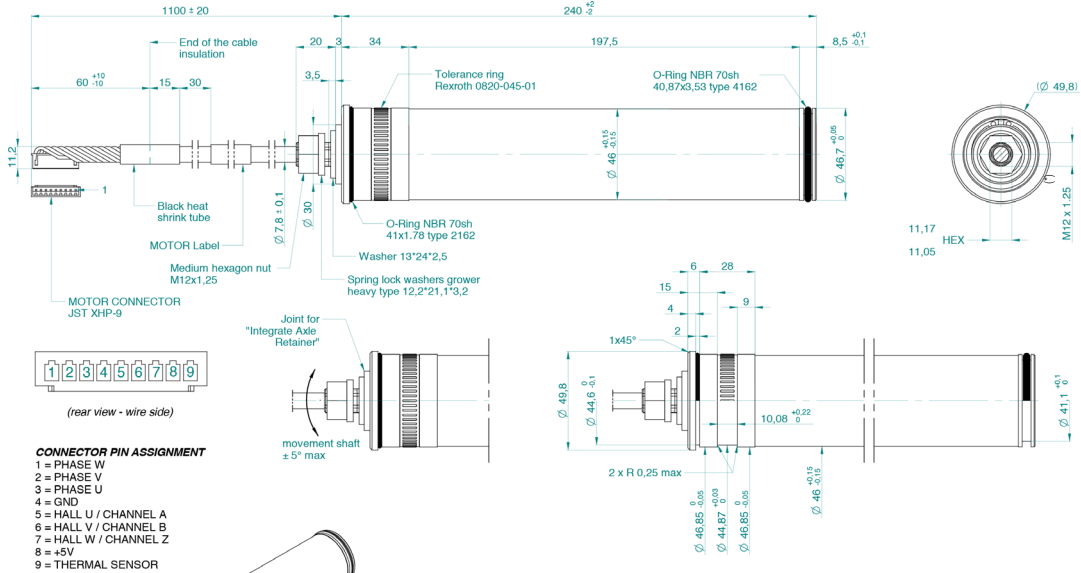
TIME RATING	Continuous	AMBIENT TEMPERATURE	0 to 40 °C
INSULATION CLASS	F	AMBIENT HUMIDITY	5 to 85% (non-condensing)
ENCLOSURE	Totally enclosed. Self-cooled	POLES	28
THERMAL PROTECTION	NTC	UL RECOGNIZED	cURus E468964
CE certified			

Motoroller 46 75 06 Motoroller 46 75 13 Motoroller 46 140 13

Stall torque	Cn0	Nm	0,74	0,74	1,5
Peak torque	Cpk	Nm	2,2	2,2	4,5
Rated torque	Cn	Nm	0,6	0,6	1,35
Rated working speed	nM	rpm	800	800	800
Rated voltage	Un	Vdc	24	48	48
Maximum working speed @ 24Vdc	nmax	rpm	1000	500	500
Maximum working speed @ 48Vdc	nmax	rpm	1150	1150	1000
Rated output power	Pn	W	50	50	115
Stall current	In0	Arms	3,3	1,63	3,3
Peak current	l _{pk}	Arms	11	5,71	10,61
Rated current	In	Arms	2,7	1,33	3
Torque constant	Kt	Nm/Arms	0,22	0,45	0,45
Voltage constant	Ke	V _{rsm} /Krpm	13,6	27,6	27,6
Phase/phase resistance @25°C	R _{ff}	Ohm	0,77	2,64	1,23
Phase/phase inductance	L _{ff}	mH	1,35	5,4	2,81
Electrical time constant	Te	ms	1,75	2	2,3
Rotor inertia	J _m	Kg cm ²	5	5	6,1
Motor weight	m	Kg	1,96	1,96	2,73
Axial shaft load @800 rpm	F _a	N		110	
Radial shaft load @800 rpm	F _r	N		220 (applied on the rotor's centering)	

MOTOROLLER 46 FRAMELESS DIMENSIONS

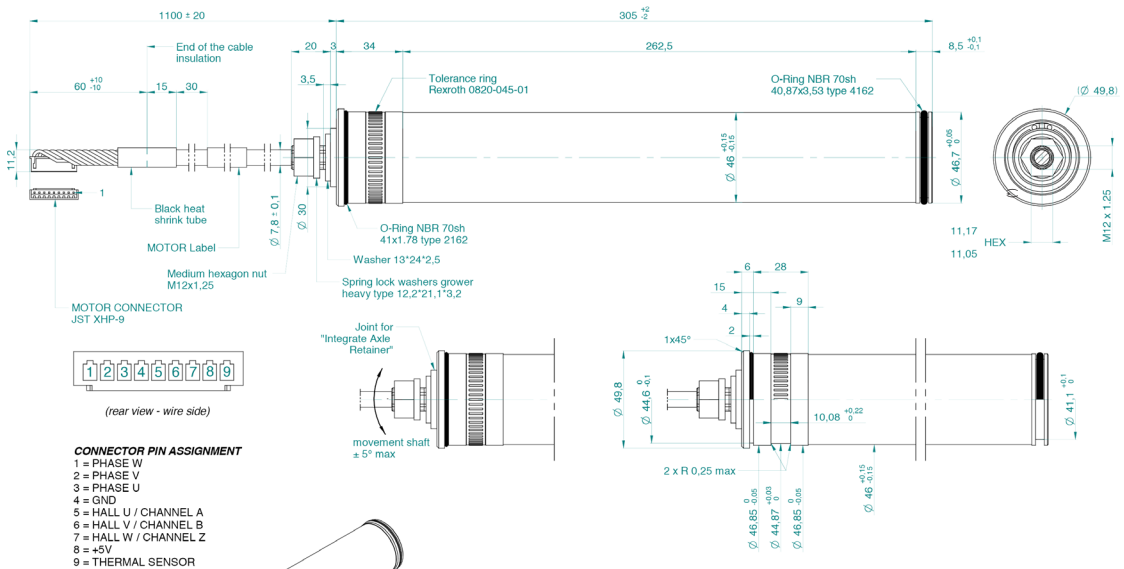
Motoroller 46 75



Dimensions in mm

NOTE: maximum fixing torque for M12x1,25 is 30Nm

Motoroller 46 140

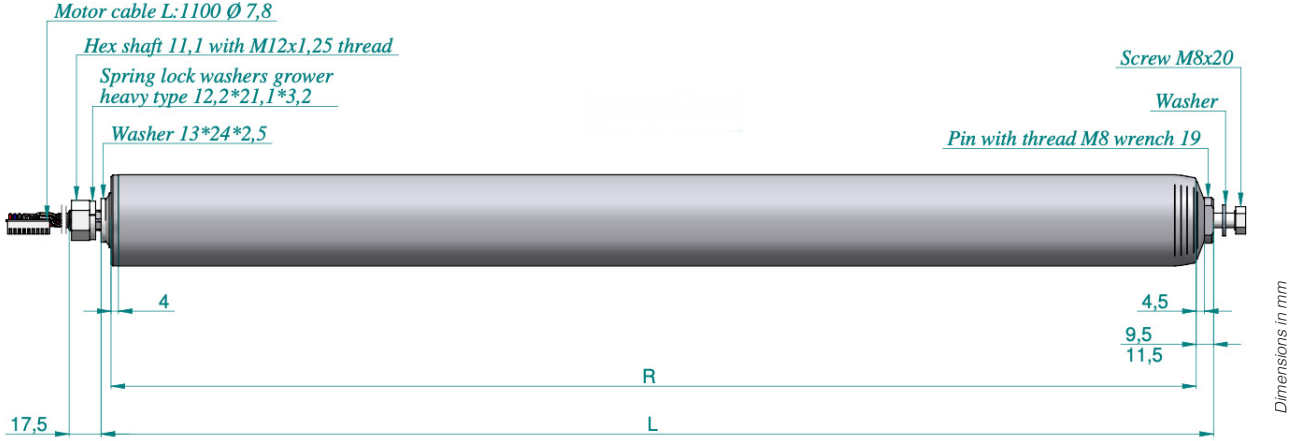


Dimensions in mm

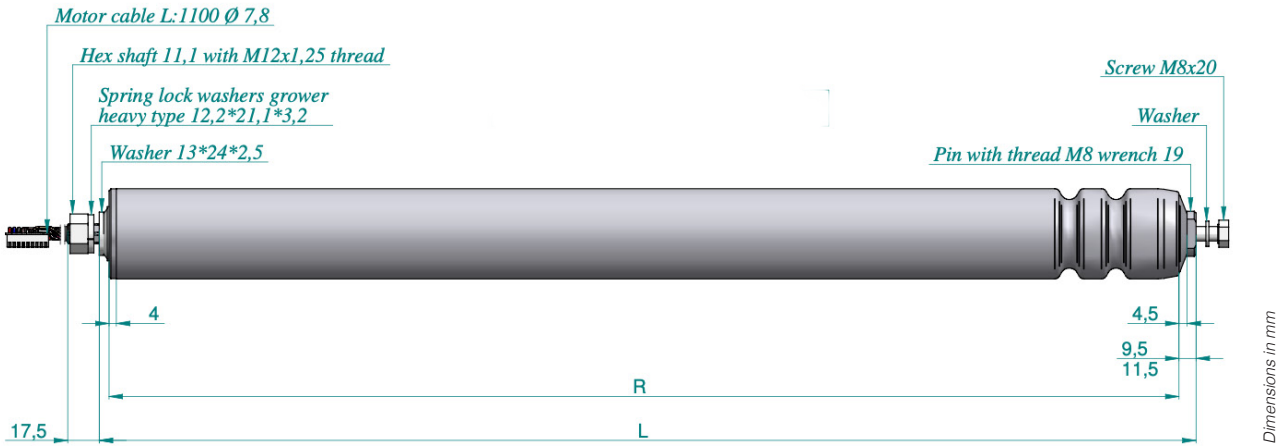
NOTE: maximum fixing torque for M12x1,25 is 30Nm

MOTOROLLER 46 POWER PACK TUBE TYPE

Motoroller 46 standard tube 01

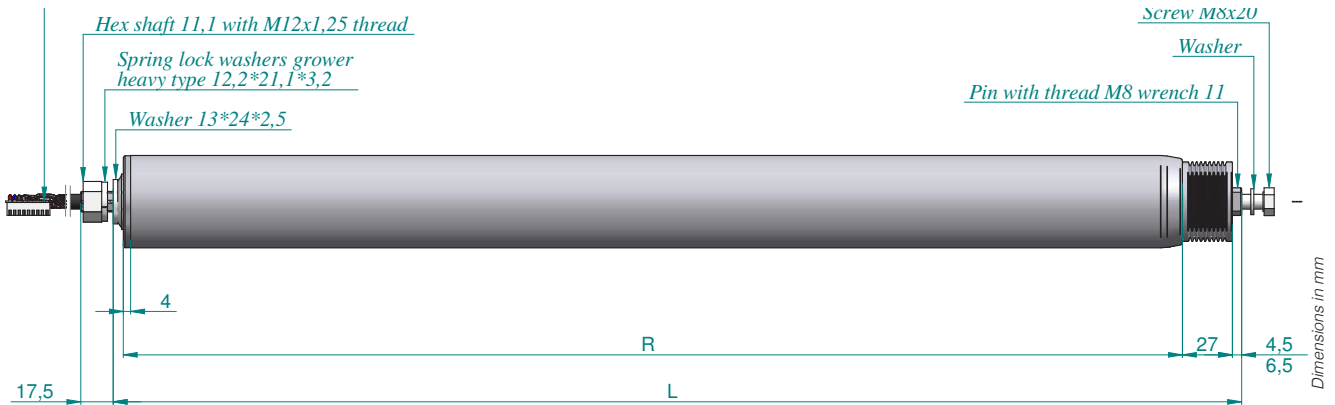


Motoroller 46 double grooved tube 02



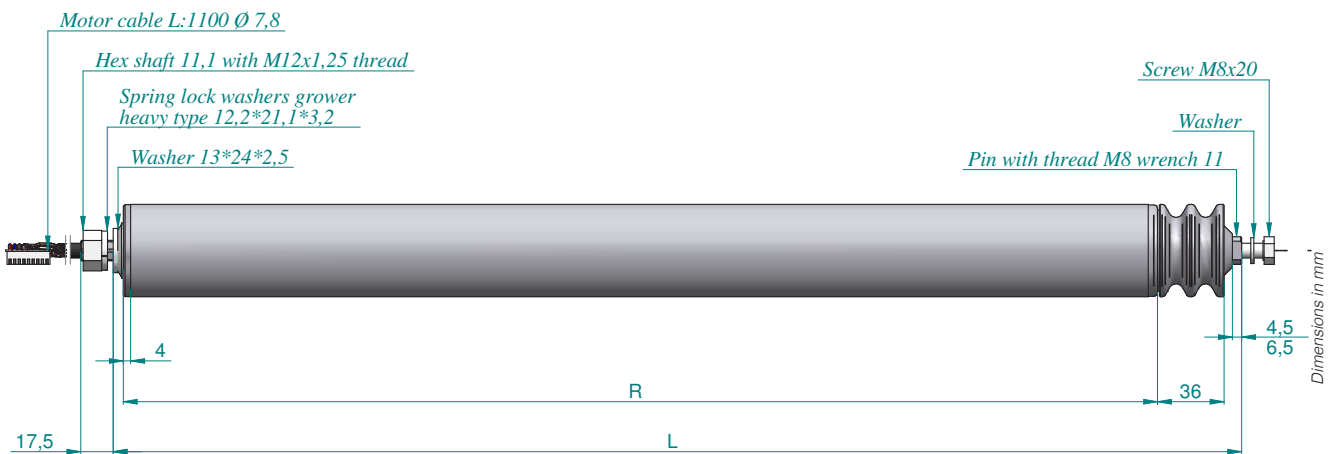
MOTOROLLER 46 POWER PACK TUBE TYPE

Motoroller 46 poly-V pulley tube 04 (**)

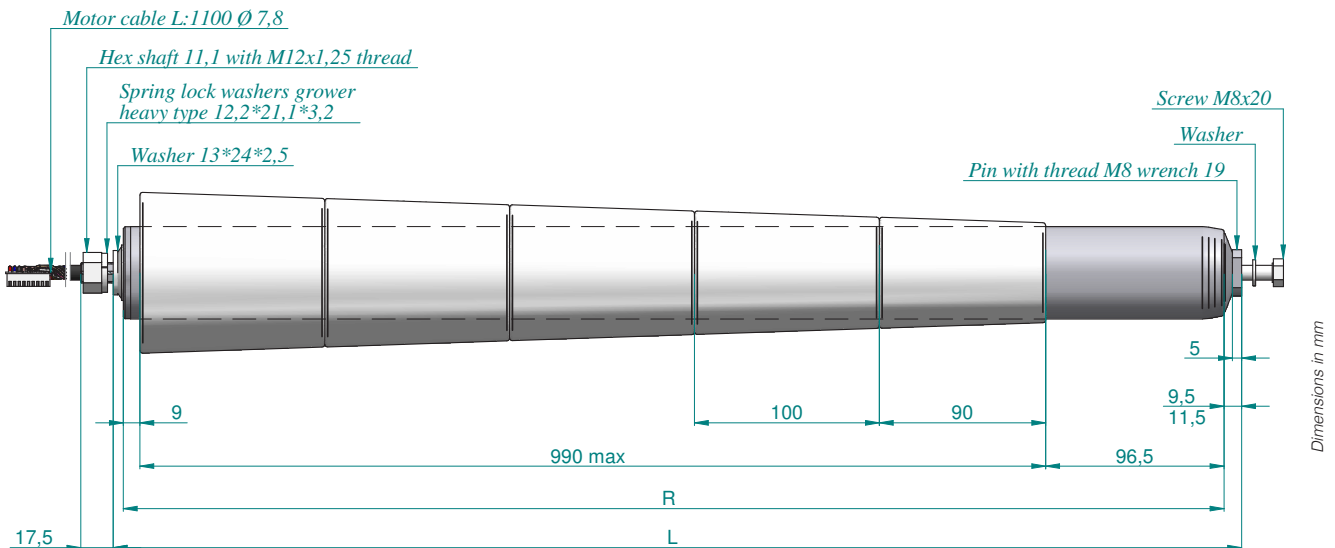


(**) This version is not available for sale in Germany

Motoroller 46 double grooved pulley tube 05



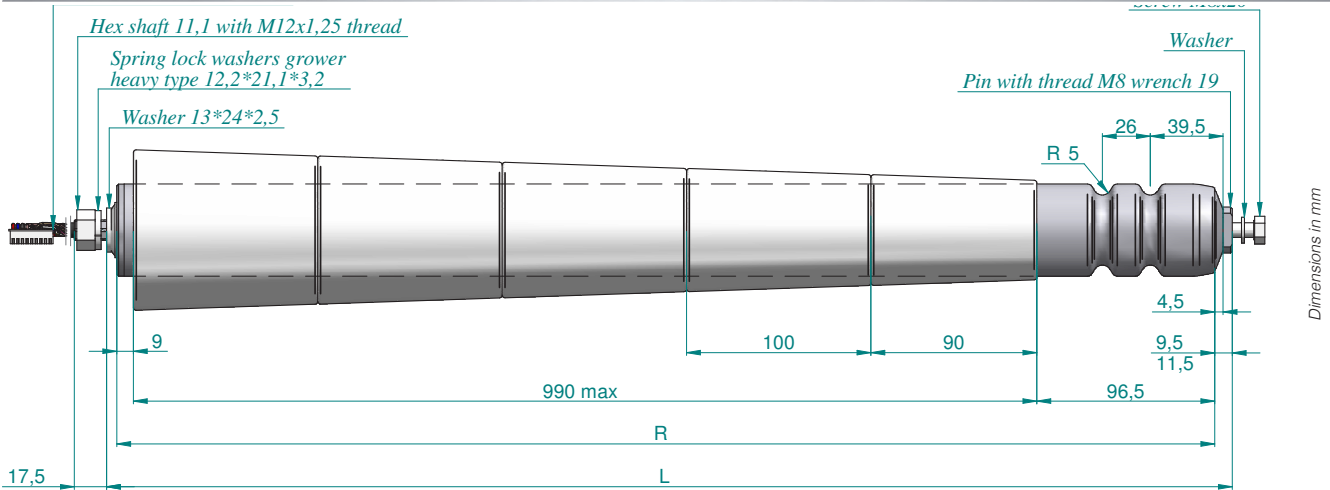
Motoroller 46 tapered sleeves tube 06



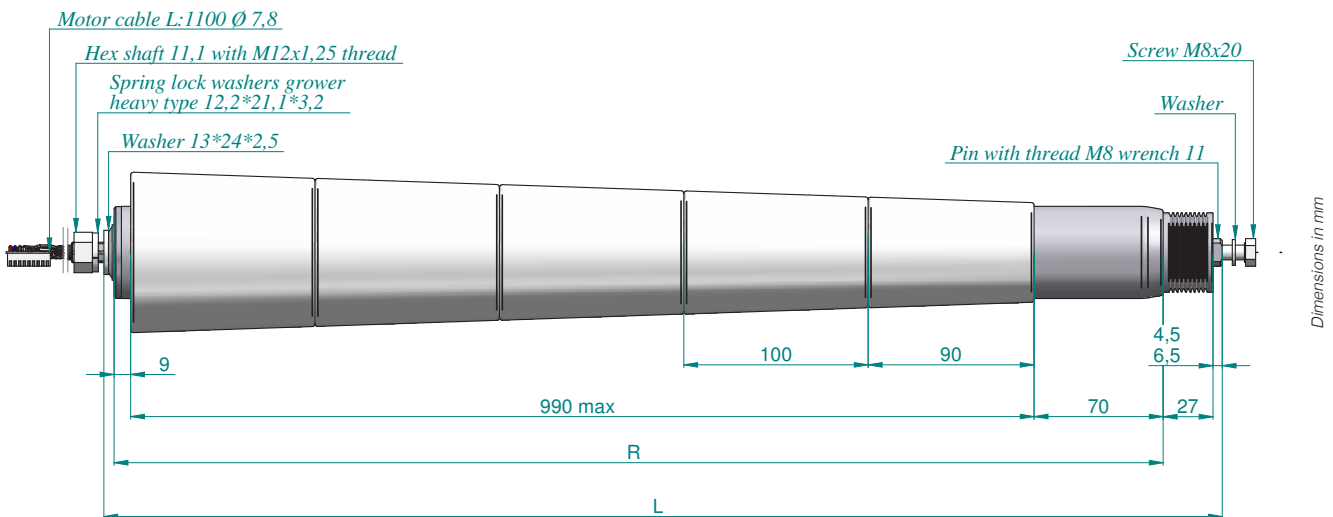
SEE IT BEFORE IT HAPPENS

MOTOROLLER 46 POWER PACK TUBE VERSIONS

Motoroller 46 double grooved and tapered sleeves tube 07

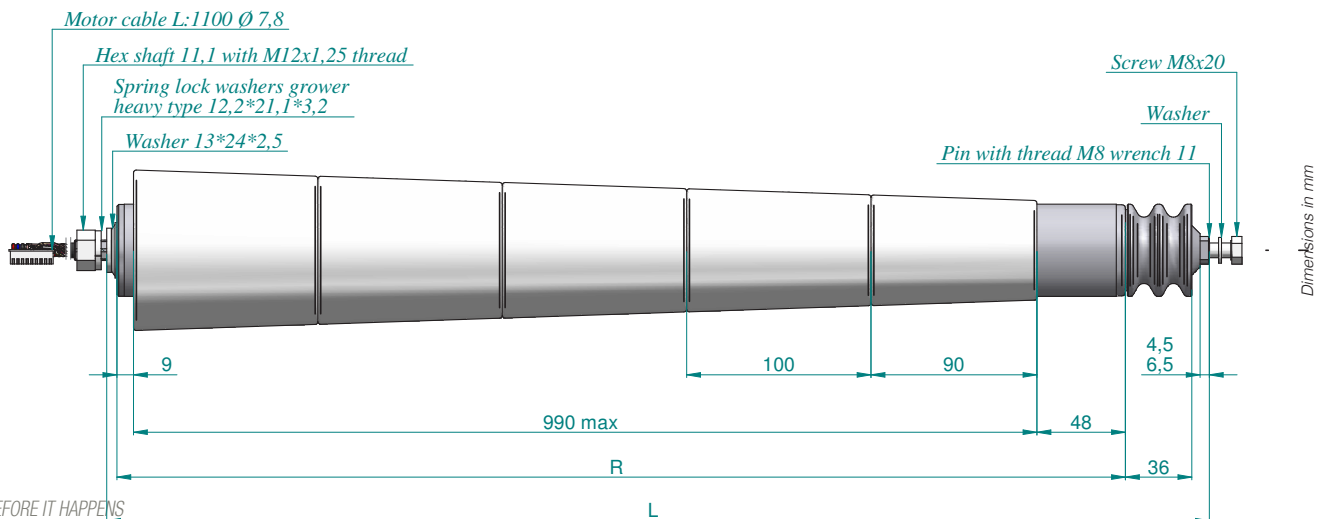


Motoroller 46 poly-V pulley and tapered sleeves tube 08 (**)



(**) This version is not available for sale in Germany

Motoroller 46 double grooved pulley and tapered sleeves tube 09



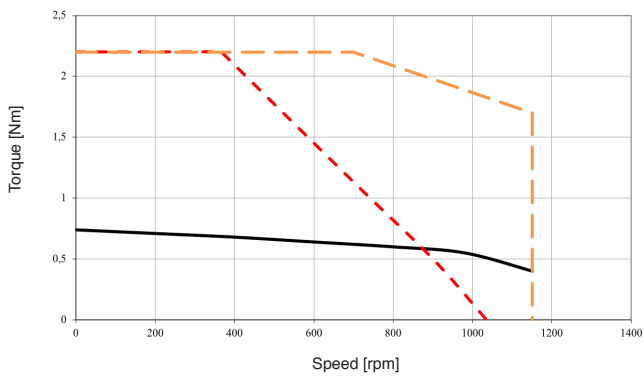
SEE IT BEFORE IT HAPPENS

MOTOROLLER 46 TORQUE /SPEED CHARTS

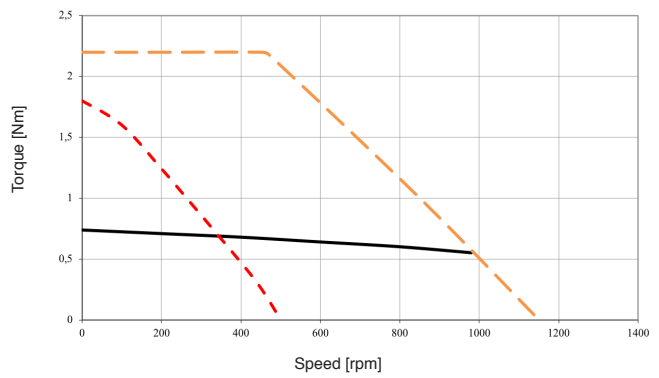
- Continuous duty @ rated voltage
- 24 Vdc
- 48 Vdc
- 60 Vdc
- 65 Vdc
- 230 Vac



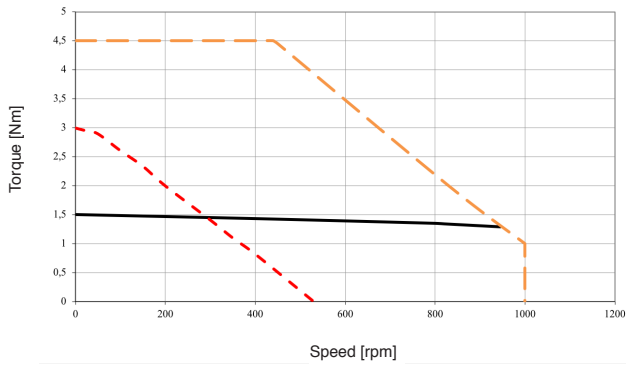
MOTOROLLER 46 75 06



MOTOROLLER 46 75 13



MOTOROLLER 46 140 13



SEE IT BEFORE IT HAPPENS



MOTOROLLER 60 RATINGS AND SPECIFICATIONS

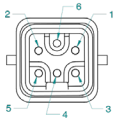
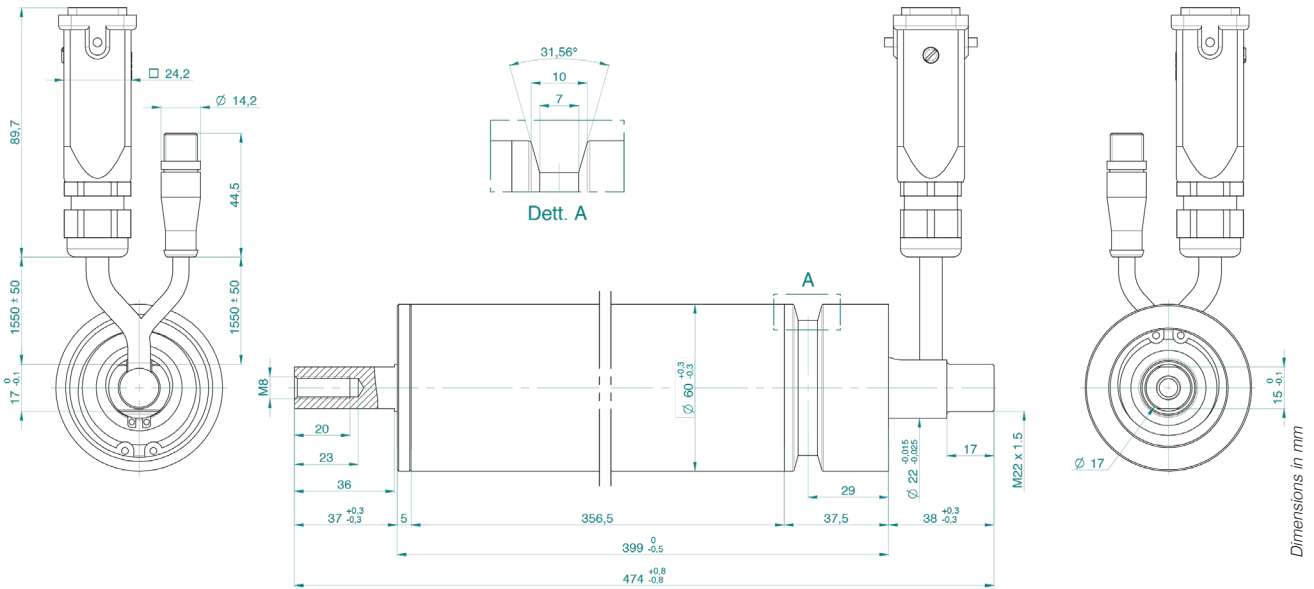
TIME RATING	Continuous	AMBIENT TEMPERATURE	0 to 40 °C
INSULATION CLASS	F	AMBIENT HUMIDITY	5 to 85% (non-condensing)
ENCLOSURE	Totally enclosed. Self-cooled	POLES	28
THERMAL PROTECTION	NTC	UL RECOGNIZED	cURus E468964
CE certified			

Motoroller 60 150 21

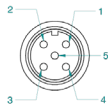
Stall torque	Cn0	Nm	3,2
Peak torque	Cpk	Nm	10
Rated torque	Cn	Nm	2,8
Rated working speed	nM	rpm	800
Rated voltage	Un	Vdc	60
Maximum working speed @ 60Vdc	nmax	rpm	1200
Rated output power	Pn	W	235
Stall current	In0	Arms	7
Peak current	l _{pk}	Arms	23
Rated current	In	Arms	5,2
Torque constant	Kt	Nm/Arms	0,53
Voltage constant	Ke	Vrsm/Krpm	31,8
Phase/phase resistance @25°C	Rff	Ohm	0,5
Phase/phase inductance	Lff	mH	1,8
Electrical time constant	Te	ms	3,6
Rotor inertia	Jm	Kg cm ²	16,8
Motor weight	m	Kg	5,3
Axial shaft load @800 rpm	Fa	N	140
Radial shaft load @800 rpm	Fr	N	600 (applied on the rotor's centering)

MOTOROLLER 60 POWER PACK DIMENSIONS

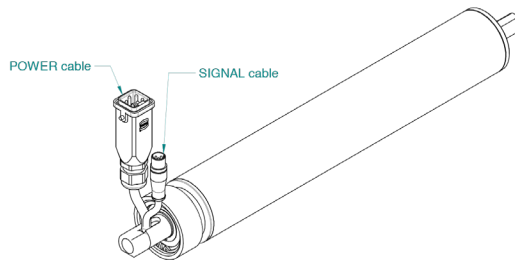
Motoroller 60 150



POWER CONNECTOR
HAN Q/0-M-C 6p MS
1 = PHASE U
2 = PHASE V
3 = PHASE W
4 = -
5 = -
6 = PE

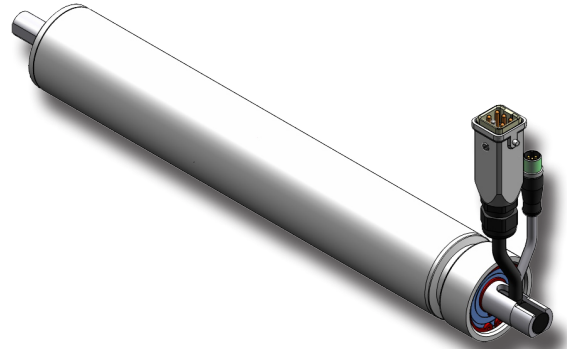


SIGNAL CONNECTOR
M12 5p MS
1 = HALL U
2 = HALL V
3 = HALL W
4 = 5/12 VDC
5 = GND

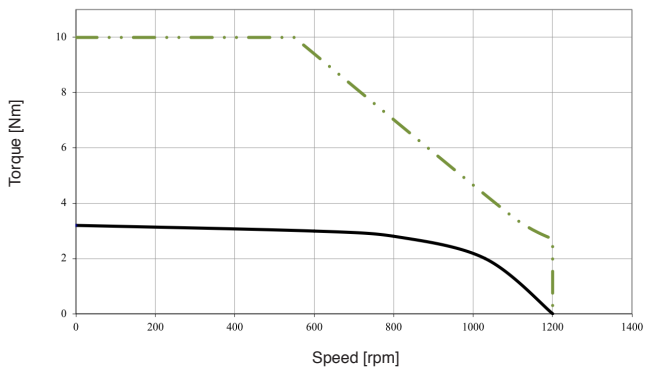


MOTOROLLER 60 TORQUE /SPEED CHARTS

- Continuous duty @ rated voltage
- 24 Vdc
- 48 Vdc
- 60 Vdc
- 65 Vdc
- 230 Vac



MOTOROLLER 60 150 21



MOTOROLLER 76 RATINGS AND SPECIFICATIONS

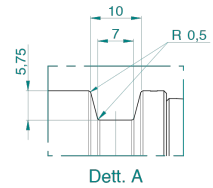
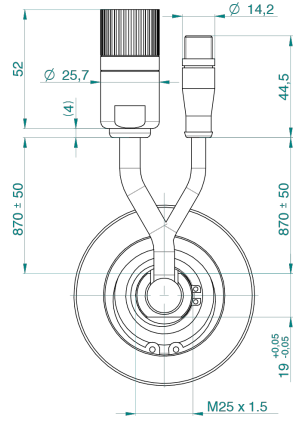
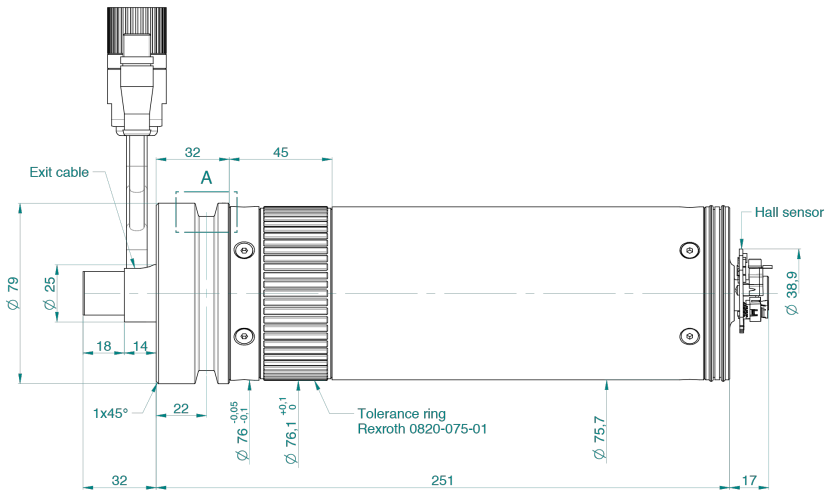
TIME RATING	Continuous	AMBIENT TEMPERATURE	0 to 40 °C
INSULATION CLASS	F	AMBIENT HUMIDITY	5 to 85% (non-condensing)
ENCLOSURE	Totally enclosed. Self-cooled	POLES	28
THERMAL PROTECTION	NTC	UL RECOGNIZED	cURus E468964
CE certified			

Motoroller 76 100 14

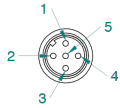
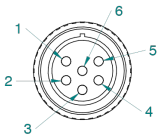
Stall torque	Cn0	Nm	3,6
Peak torque	Cpk	Nm	22
Rated torque	Cn	Nm	3,1
Rated working speed	nM	rpm	800
Rated voltage	Un	Vdc	60
Maximum working speed @ 48Vdc	nmax	rpm	800
Maximum working speed @ 65Vdc	nmax	rpm	1000
Rated output power	Pn	W	260
Stall current	In0	Arms	6,1
Peak current	lpk	Arms	41
Rated current	In	Arms	5,2
Torque constant	Kt	Nm/Arms	0,59
Voltage constant	Ke	Vrsm/Krpm	36
Phase/phase resistance @25°C	Rff	Ohm	0,51
Phase/phase inductance	Lff	mH	0,7
Electrical time constant	Te	ms	1,37
Rotor inertia	Jm	Kg cm ²	23,2
Motor weight	m	Kg	5,1
Axial shaft load @800 rpm	Fa	N	220
Radial shaft load @800 rpm	Fr	N	500 (applied on the rotor's centering)

MOTOROLLER 76 FRAMELESS DIMENSIONS

Motoroller 76 100

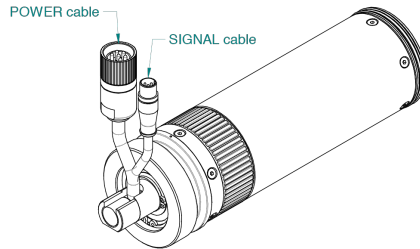


Dimensions in mm



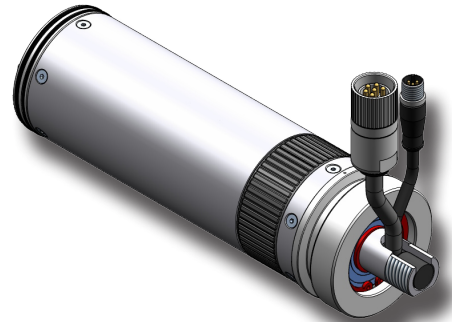
POWER CONNECTOR
Hypertac 6p MS
1 = -
2 = PHASE U
3 = PHASE V
4 = PHASE W
5 = -
6 = PE

SIGNAL CONNECTOR
M12 5p MS
1 = HALL U
2 = HALL V
3 = HALL W
4 = 5V
5 = GND

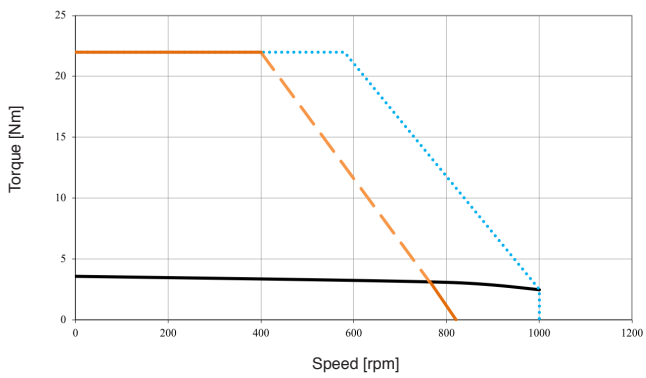


MOTOROLLER 76 TORQUE /SPEED CHARTS

- Continuous duty @ rated voltage
- 24 Vdc
- 48 Vdc
- 60 Vdc
- 65 Vdc
- 230 Vac



MOTOROLLER 76 100 14



PALLET CONVEYOR MOTOROLLER 70 RATINGS AND SPECIFICATIONS

TIME RATING
INSULATION CLASS
ENCLOSURE
THERMAL PROTECTION
CE certified

S3 1'1/2' (Ton = 1' / Toff = 2')
F
Totally enclosed. Self-cooled
PT1000

AMBIENT TEMPERATURE 0 to 40 °C
AMBIENT HUMIDITY 5 to 85% (non-condensing)
POLES 8
INSULATION SYSTEM UL /CSA cURus, DV155J File nr.:E216686

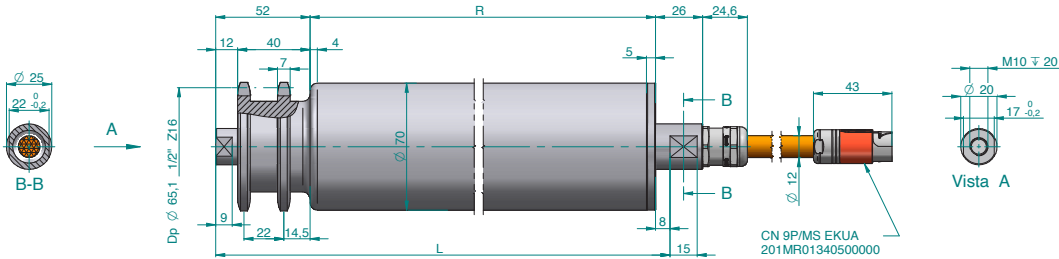
Pallet Conveyor Motoroller 70 045 01 Pallet Conveyor Motoroller 70 045 04

Stall torque*	Cn0	Nm	25	25
Peak torque**	Cpk	Nm	40	40
Rated torque *	Cn	Nm	25	25
Rated working speed @ 24Vdc		m/s	0,26 (70 rpm)	0,12 (32,5 rpm)
Rated working speed @ 48Vdc		m/s	0,37 (101 rpm)	0,24 (65,7 rpm)
Rated output power @ 24Vdc	Pn	W	185	85
Rated output power @ 48Vdc	Pn	W	265	170
Rated voltage	Un		24-48 Vdc	24-48 Vdc
Stall current*	In0	Arms	9,5	4,8
Peak current	l _{pk}	Arms	14,2	7,2
Rated current*	In	Arms	10,5	5,2
Torque constant	Kt	Nm/Arms	0,094	0,187
Voltage constant	Ke	Vrsm/Krpm	5,7	11,3
Phase/phase resistance @25°C	Rff	Ohm	0,16	0,67
Phase/phase inductance	Lff	mH	0,48	2,1
Electrical time constant	Te	ms	3,0	3,1
Rotor inertia	Jm	Kg cm ²	0,300	0,300
Axial load @76 rpm	Fa	N	350 (applied on the rotor's middle)	350 (applied on the rotor's middle)
Radial shaft load @76 rpm	Fr	N	1500 (distributed on the rotor)	1500 (distributed on the rotor)

* Rating performances @ 20°C ** Peak torque max duration : 2s

PALLET CONVEYOR MOTOROLLER 70 DIMENSIONS - type 01

Pallet Conveyor Motoroller 70 045 power pack reference drawing 01



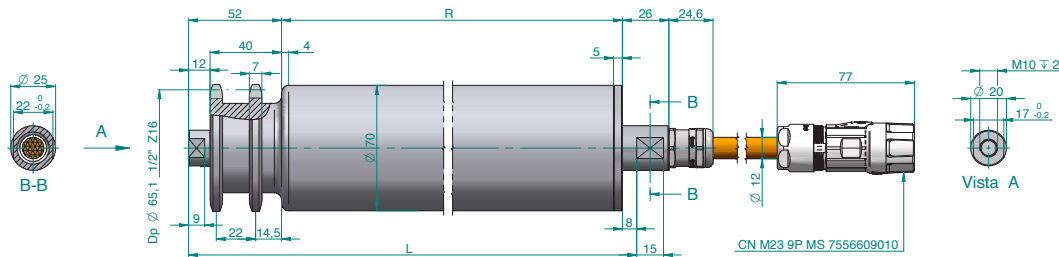
Dimensions in mm

(R) different length available on request

CONNECTIONS

POLE NR.	COLOR	FUNCTION
1	Brown/Green	+5V
2	White/Green	GND
2	Gray	Hall U
4	Pink	Hall W
5	Yellow	Hall V
A	Blue	Phase U
B	Brown	Phase W
C	Black	Phase V
PE	Green/Yellow	Earth/PE

Pallet Conveyor Motoroller 70 045 power pack reference drawing 02



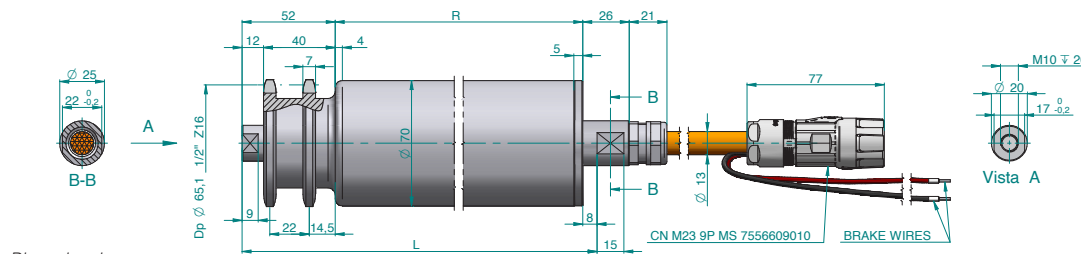
Dimensions in mm

(R) different length available on request

CONNECTIONS

POLE NR.	COLOR	FUNCTION
1	Brown/Green	+5V
2	White/Green	GND
2	Gray	Hall U
4	Pink	Hall W
5	Yellow	Hall V
A	Blue	Phase U
B	Brown	Phase W
C	Black	Phase V
PE	Green/Yellow	Earth/PE

Pallet Conveyor Motoroller 70 045 power pack reference drawing 03



Dimensions in mm

(R) different length available on request

CONNECTIONS

POLE NR.	COLOR	FUNCTION
1	Brown/Green	+5V
2	White/Green	GND
2	Gray	Hall U
4	Pink	Hall W
5	Yellow	Hall V
A	Blue	Phase U
B	Brown	Phase W
C	Black	Phase V
PE	Green/Yellow	Earth/PE

BRAKE WIRES

COLOR	FUNCTION
Red	Brake +
Black	Brake -

SEE IT BEFORE IT HAPPENS

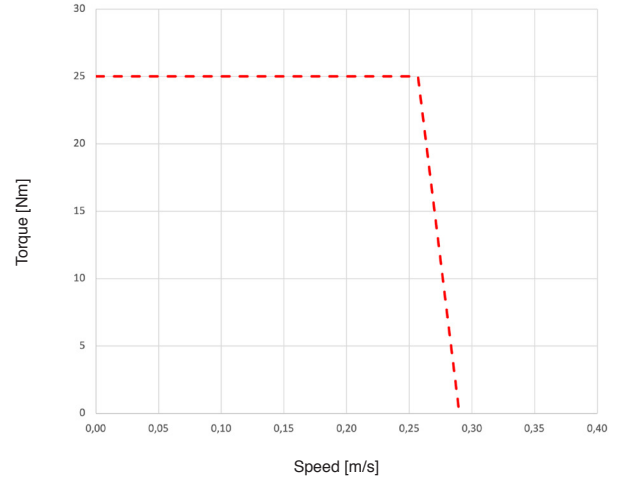
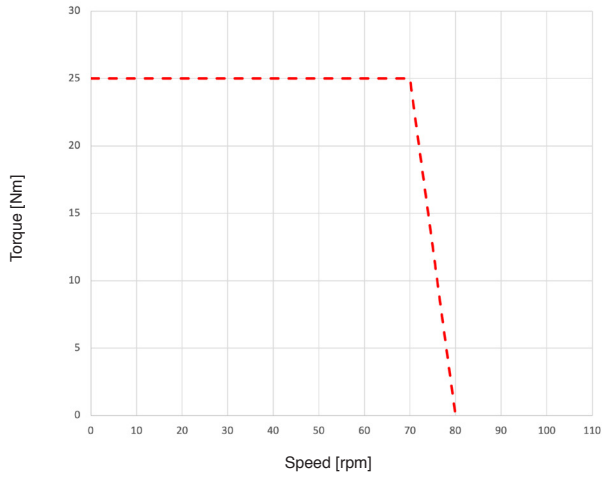
**MOTOR
POWER**
COMPANY

PALLET CONVEYOR 70 045 TORQUE/SPEED CHARTS

- Continuous duty @ rated voltage
- 24 Vdc
- 48 Vdc
- 60 Vdc
- 65 Vdc
- 230 Vac

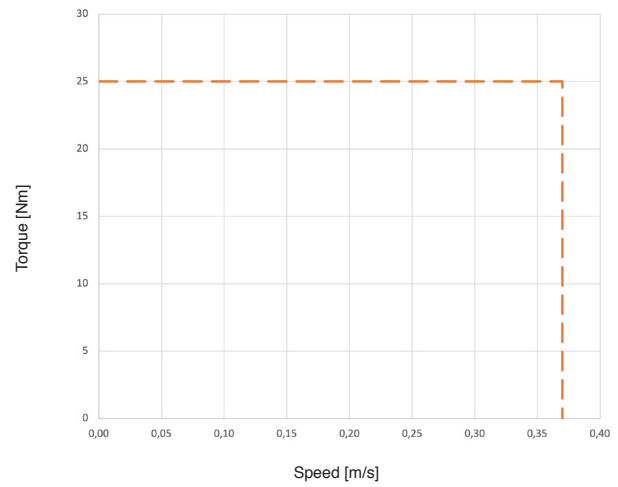
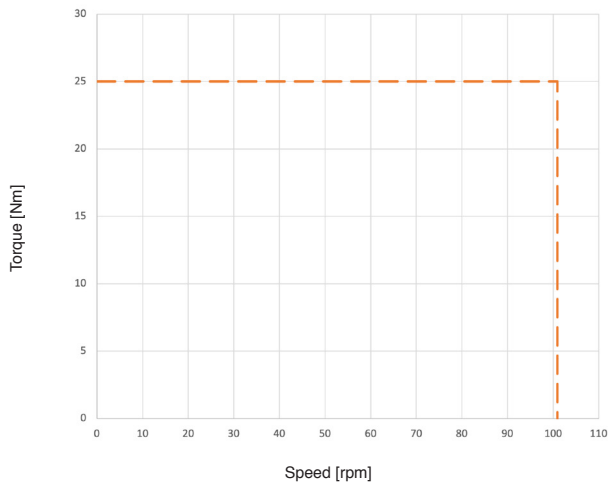
MOTOROLLER 70 045 01

24Vdc



MOTOROLLER 70 045 01

48Vdc

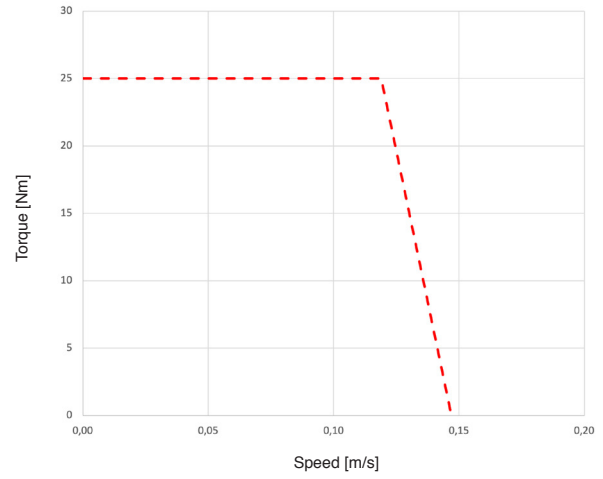
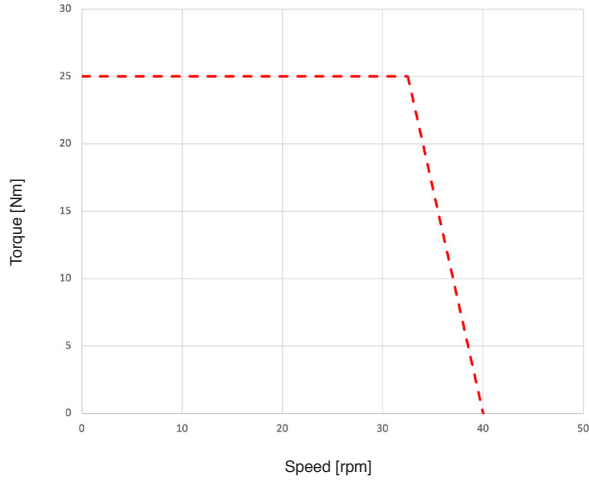


PALLET CONVEYOR 70 045 TORQUE/SPEED CHARTS

- Continuous duty @ rated voltage
- 24 Vdc
- 48 Vdc
- 60 Vdc
- 65 Vdc
- 230 Vac

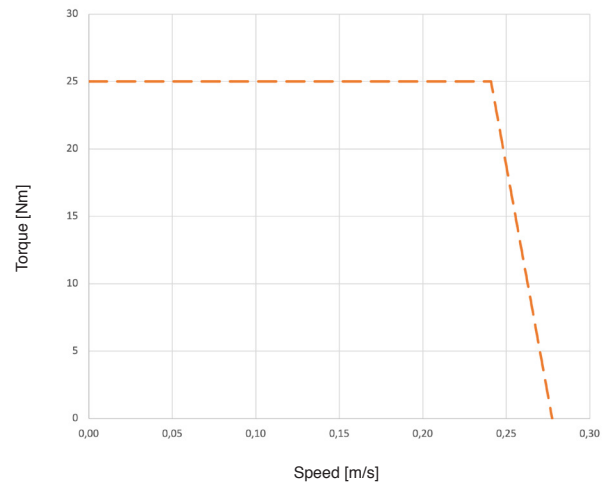
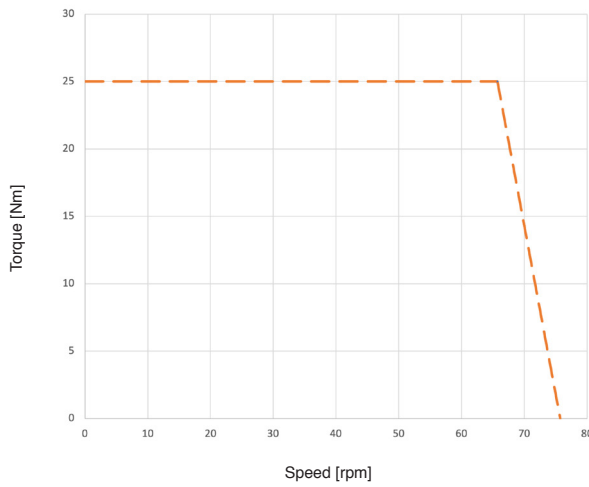
MOTOROLLER 70 045 04

24Vdc



MOTOROLLER 70 045 04

48Vdc



PALLET CONVEYOR MOTOROLLER 89 RATINGS AND SPECIFICATIONS

TIME RATING
INSULATION CLASS
ENCLOSURE
THERMAL PROTECTION
CE certified

S3 1'1/2' (Ton = 1' / Toff = 2')
F
Totally enclosed. Self-cooled
PT1000

AMBIENT TEMPERATURE 0 to 40 °C
AMBIENT HUMIDITY 5 to 85% (non-condensing)
POLES 8
INSULATION SYSTEM UL /CSA cURus, DV155J File nr.:E216686CE

			Pallet Conveyor Motoroller 89 045 01	Pallet Conveyor Motoroller 89 045 04	Pallet Conveyor Motoroller 89 045 15
Stall torque*	Cn0	Nm	73	73	73
Peak torque**	Cpk	Nm	120	120	120
Rated torque *	Cn	Nm	43	55	51
Rated working speed		m/s	0,37 (79,5 rpm)	0,27 (57,9 rpm)	0,31 (66,5 rpm)
Rated output power	Pn	W	360	335	355
Rated voltage	Un		48 Vdc	48 Vdc	230 Vac
Stall current*	In0	Arms	19	8,8	2
Peak current	l _{pk}	Arms	33	15	3,5
Rated current*	In	Arms	12,5	7,4	1,55
Torque constant	Kt	Nm/Arms	0,096	0,187	0,91
Voltage constant	Ke	Vrsm/Krpm	5,8	11,3	55
Phase/phase resistance @25°C	Rff	Ohm	0,17	0,67	13,3
Phase/phase inductance	Lff	mH	0,38	2,1	38,5
Electrical time constant	Te	ms	2,2	3,1	2,9
Rotor inertia	Jm	Kg cm ²	0,526	0,526	0,526
Axial load @80 rpm	Fa	N	240 <small>(applied on the rotor's middle)</small>	240 <small>(applied on the rotor's middle)</small>	240 <small>(applied on the rotor's middle)</small>
Radial shaft load @80 rpm	Fr	N	3800 <small>(applied on the rotor's middle)</small>	3800 <small>(applied on the rotor's middle)</small>	3800 <small>(applied on the rotor's middle)</small>

* Rating performances@ 20°C ** Peak torque max duration : 2s

PALLET CONVEYOR MOTOROLLER 89 DIMENSIONS - type 01

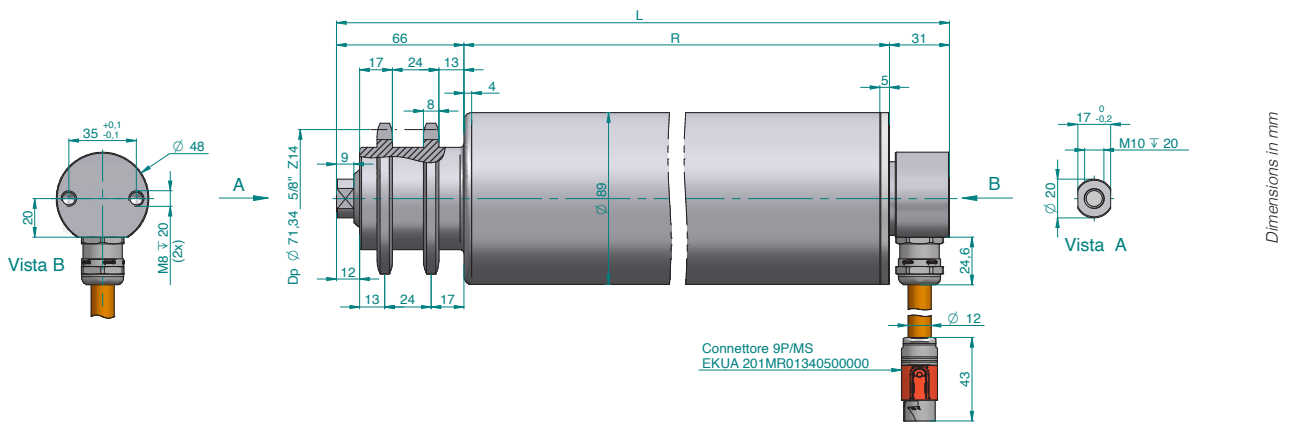


MTR 89 045 - TYPE 01

R 922 mm
 L* 1000 mm
 Weight 22,5 Kg

(*) different length available on request

Pallet Conveyor Motoroller 89 045 power pack reference drawing 01

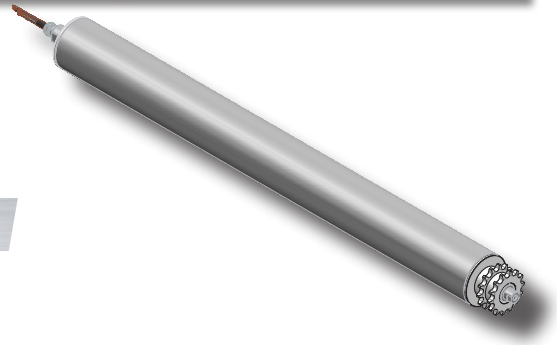


(R) different length available on request

CONNECTIONS

N° PIN	WIRE COLOR	FUNCTION
1	Bn/Gn	+5V
2	Wh/Gn	GND
3	Gray	HALL U
4	Pink	HALL W
5	Yellow	HALL V
A	Blue	Phase U
B	Brown	Phase W
C	Bk	Phase V
PE	Gn/Ye	Earth/PE

PALLET CONVEYOR MOTOROLLER 89 DIMENSIONS - type 02

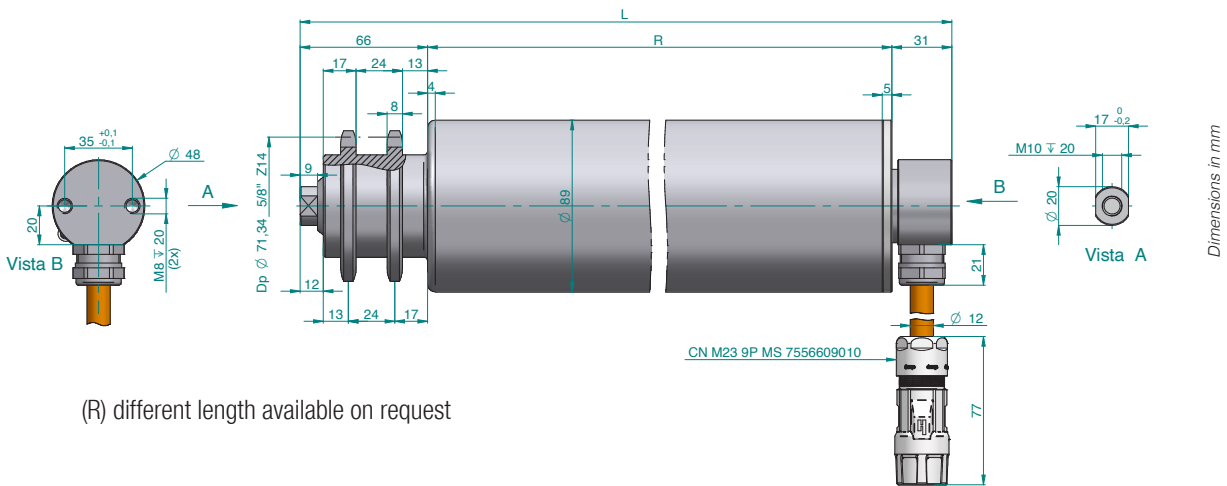


MTR 089 45 - TYPE 02

R	898 mm
L*	960 mm
Weight	22,4 Kg

*different length available on request

Pallet Conveyor Motoroller 89 045 power pack reference drawing 02



CONNECTIONS

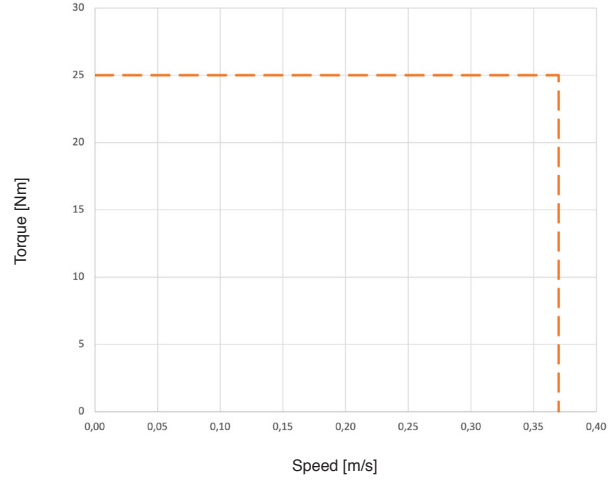
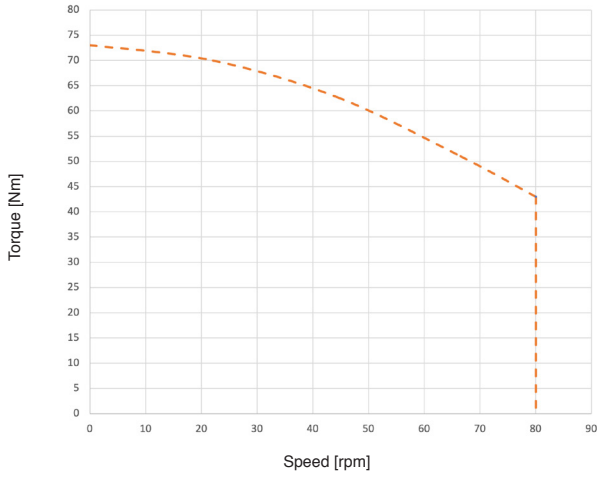
N° PIN	WIRE COLOR	FUNCTION
E	Bn/Gn	+5V
F	Wh/Gn	GND
G	Gray	HALL U
H	Pink	HALL W
L	Yellow	HALL V
A	Blue	Phase U
B	Brown	Phase W
C	Bk	Phase V
PE	Gn/Ye	Earth/PE

PALLET CONVEYOR MOTOROLLER 89 TORQUE /SPEED CHARTS

- Continuous duty @ rated voltage
- 24 Vdc
- 48 Vdc
- 60 Vdc
- 65 Vdc
- 230 Vac

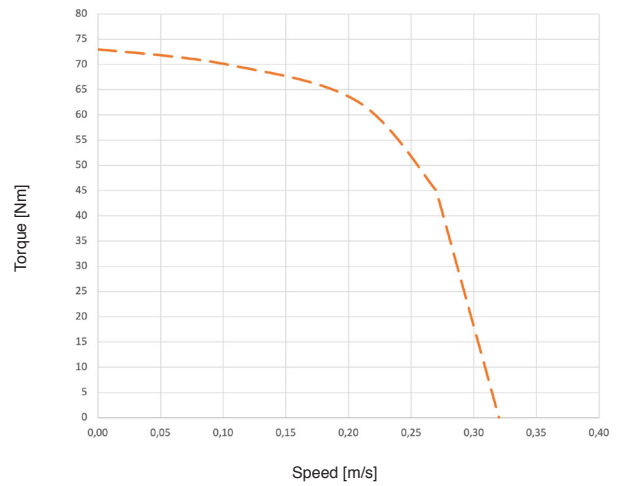
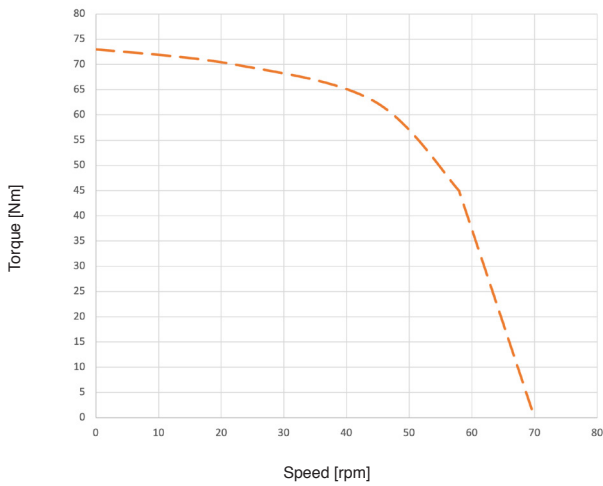
MOTOROLLER 89 045 01

48Vdc



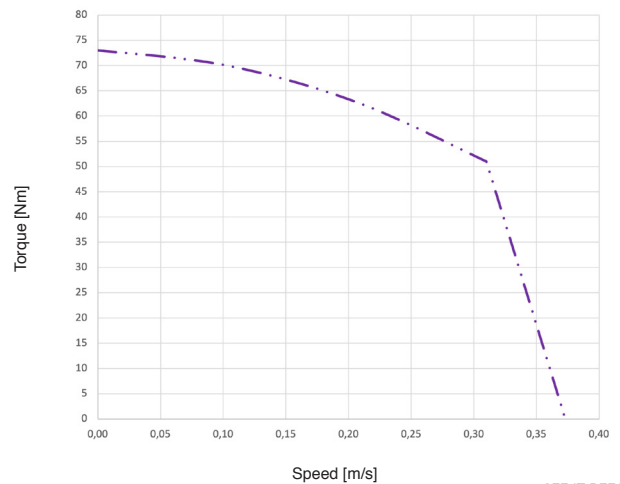
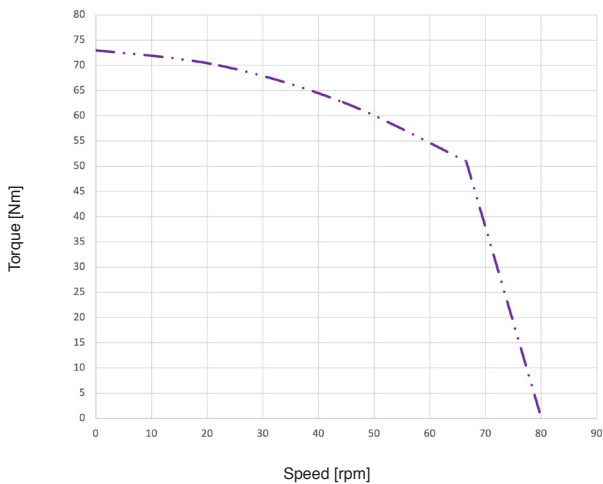
MOTOROLLER 89 045 04

48Vdc



MOTOROLLER 89 045 15

230 Vac



SEE IT BEFORE IT HAPPENS

FEEDBACK FEATURES

H1 HALL SENSOR

Motor size		Motoroller 46 -60- 76
Nominal Voltage	V	5-9 \pm 5%
Nominal current	mA	100
Electronic type		OPEN COLLECTOR
N° of pulses revolution	ppr	84

E1 INCREMENTAL ENCODER

Motor size		Motoroller 46 -60- 76
Nominal Voltage	Vdc	5-9 \pm 5%
Nominal current	mA	100
Electronic type		OPEN COLLECTOR
Zero impulse		ONE AT A LAP
N° of pulses revolution	ppr	896
Resolution	cpr	3584

**»» PERFECTLY
MATCHED DRIVES:
MAXIMIZING PERFORMANCE
AND EFFICIENCY**

DMR SERVO DRIVES

The DMR series is a series of customized drives dedicated to logistic automation market. The series features two models: DMR 50-5/50, DMR76-10/65 and DMR PC 6/50, designed and manufactured for driving gearless motorollers, exploiting its technological advantages based on direct drive without any gear for motion transmission.

DMR 50-5/50 FEATURES

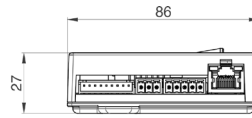
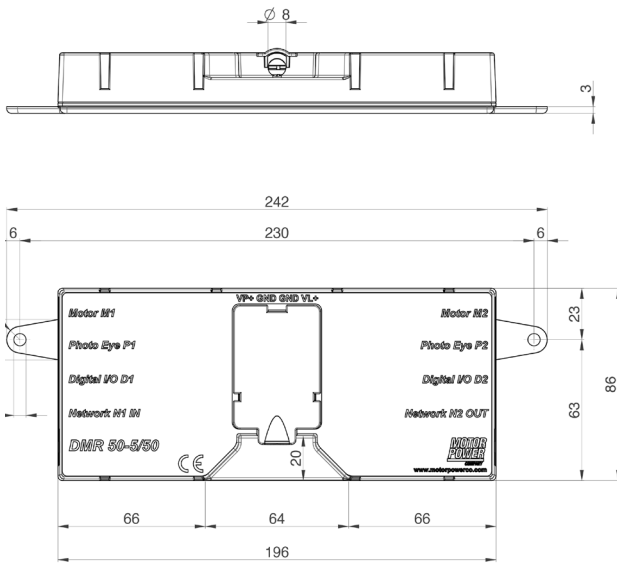
- > **DUAL AXES OPERATION CAPABILITY**
- > **PERFECT MATCH WITH GEARLESS MOTOROLLER MTR46**
- > **I/O PROGRAMMABILITY**
- > **FUSE PROTECTION**
- > **CROSSBELT FUNCTIONALITY**
- > **CONVEYOR FUNCTIONALITY**
- > **SPEED AND ACCELERATION PROGRAMMABILITY**
- > **HALL SENSOR AND ENCODER FEEDBACK**
- > **DMR BROWSER SOFTWARE INTERFACE**
- > **RS 485 PROGRAMMING INTERFACE**
- > **CAN OPEN FIELDBUS**
- > **PHOTO EYE SUPPORT**
- > **2 INPUT, 2 OUTPUT RELAY EACH AXIS**



DMR 50-5/50 PRODUCT DATA

FEATURE	UNITS	DMR 50-5/50
Rated output power	W	180 each axis
Efficiency at rated power	%	>95
Operating supply voltage	Vdc	12-60
Typical supply voltage	Vdc	48
Maximum operating voltage	Vdc	80
Auxiliary supply voltage		24 V (8-30)
Rated output current	Arms	5
Peak output current	Arms	15
Peak time	s	3
PWM switching frequency	kHz	16 kHz
Maximum output frequency	Hz	<600
Commutation		Sinusoidal and space vector
Dimensions	WxDxH mm	196x70x27
Working temperature	°C	-20 ÷ +55
Storage temperature	°C	-40 ÷ +75
Humidity	%	85% not condensing
Altitude without derating	m	1000
IP protection	IP	20

DMR 50-5/50 PRODUCT DIMENSIONS



Dimensions in mm

DMR 50-5/50 PRODUCT DATA

MOTOR CONNECTION

PIN	NAME
1	Phase U
2	Phase V
3	Phase W
4	Thermal sensor
5	Power supply 5V
6	0V
7	Hall U/Inc A
8	Hall V/Inc B
9	Hall W/Inc Z

PHOTO EYE INPUT

PIN	NAME
1	24V
2	GND
3	Photo eye input

POWER CONNECTION

PIN	NAME
1	24V logic
2	0 V
3	48 V power

I/O DEFINITION

PIN	DIRECTION	FUNCTION
1	Input	Enable
2	Input	Dir
3	Input	Analogf Input
4	Output	Fault
5	Output	Configurable

DMR SERVO DRIVES

DMR 76-10/65 HP is a digital drive for motorrollers in cross belt applications. Main features of this drive are current digital control achieved with the technique of vector space and updated with a 10 kHz frequency. Speed digital loop with proportional-integral compensator updated with 10 kHz frequency. Position digital loop with proportional compensator and handling of dead zone updated with 10 kHz frequency. Digital Profibus interface for connecting to supervisor PLC. Motor feedback interface via Hall sensors.

DMR 76-10/65 FEATURES

- > **THE PERFECT MATCHED DRIVE FOR GEARLESS MOTORROLLER**
- > **DMR BROWSER SOFTWARE INTERFACE**
- > **MTR76**
- > **FUSE PROTECTION**
- > **USB PROGRAMMING INTERFACE**
- > **CROSSBELT FUNCTIONALITY**
- > **PROFIBUS FIELBUS DP V1**
- > **SPEED AND ACCELERATION PROGRAMMABILITY**
- > **I/O PROGRAMMABILITY**
- > **HALL SENSOR AND ENCODER FEEDBACK**
- > **I/O PROXY DUAL LOOP**
- > **2 INPUT, 2 OUTPUT RELAY**



DMR 76-10/65 PRODUCT DATA

FEATURE	UNITS	DMR 76-10/65
Rated output power	W	650
Efficiency at rated power	%	>95
Operating supply voltage	Vdc	24-80
Typical supply voltage	Vdc	48-65
Maximum operating voltage	Vdc	85
Auxiliary supply voltage		-
Rated output current	Arms	10
Peak output current	Arms	50
Peak time	s	0,75 on 20s
PWM switching frequency	kHz	16 kHz
Maximum output frequency	Hz	<600
Commutation		Sinusoidal and space vector
Dimensions	WxDxH mm	250x150x45
Working temperature	°C	-20 ÷ +55
Storage temperature	°C	-40 ÷ +75
Humidity	%	85% not condensing
Altitude without derating	m	1000
IP protection	IP	54 on drive front 40 on the whole drive

DMR 76-10/65

DMR 76-10/65 PRODUCT DATA

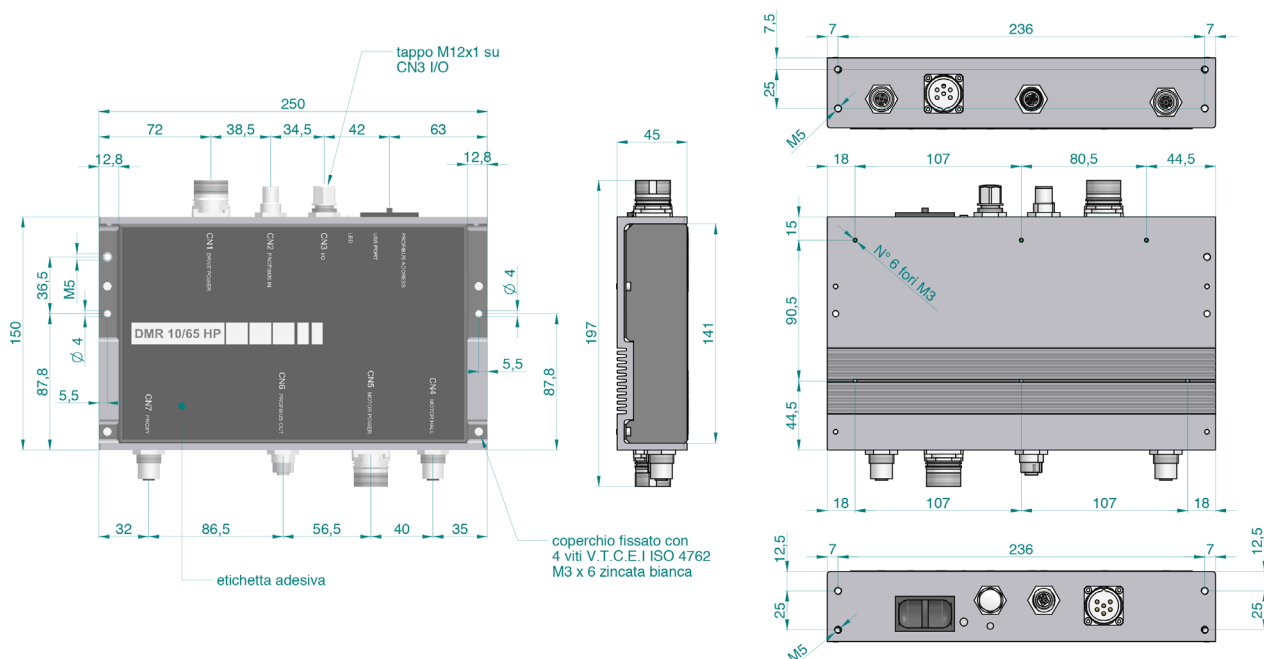
HARDWARE AND FIRMWARE CHARACTERISTICS

- ONE ELECTRONIC BOARD FOR CONTROL LOGIC AND POWER
- ONE SUPPLY FOR ELECTRONIC CONTROL AND MOTOR OUTPUT STAGE
- PROFIBUS SLAVE COMMAND INTERFACE WITH DIP SWITCH NODE ADDRESS SELECTION
- USB DEVICE INTERFACE FOR CONFIGURATION AND MAINTENANCE
- CONTROL THROUGH SINUSOIDAL ALGORITHM AND HALL SENSOR FEEDBACK
- GENERIC I/O PROGRAMMABILITY
- I/O PROXI PROGRAMMABILITY

INTERFACE

- THIS DRIVE IS EQUIPPED WITH SOFTWARE USER INTERFACE "DMR BROWSER" FOR OPERATING, MONITORING AND SUPERVISION OF THE APPLICATION. REFER TO THE APPROPRIATE MANUAL FOR INSTALLATION INSTRUCTIONS AND USE.

PRODUCT DIMENSIONS



DMR 76-10/65

CONNECTION

DRIVE POWER	
PIN	NAME
1	V+
2	-
3	-
4	-
5	V-
6	-

PROFIBUS IN	
PIN	NAME
1	-
2	DATA-/A-LINE
3	-
4	-
5	DATA+/B-LINE

PROFIBUS OUT	
PIN	NAME
1	V+
2	DATA-/A-LINE
3	V _{REF}
4	DATA+/B-LINE
5	-

DIGITAL I/O	
PIN	NAME
1	OUT1 COM
2	INRET 123
3	+24V _{DC}
4	OUT1 NC
5	IN1
6	IN2
7	IN3
8	GND (+24 V _{DC})

CONNECTION

MOTOR OUTPUT	
PIN	NAME
1	-
2	U
3	V
4	W
5	-
6	PE

FEEDBACK	
PIN	NAME
1	U/A
2	V/B
3	W/Z
4	5V _{DC}
5	GND

PROXY DUAL LOOP	
PIN	NAME
1	+24V _{DC} PROXY
2	INRET 123 PROXY
3	GND (+24V _{DC})
4	OUT2 NO
5	OUT2 NO
6	IN7 PROXY
7	+24 V _{DC}
8	OUT2 COM

The LITE PRO series is represented by the extremely compact 4-quadrants drives perfect matched to control motoroller 60. This series features as standard CanOpen interface and a complete programmable version with integral Motion Process Unit, that allows stand alone and network architecture operation.

FEATURES

- > **STANDARD FEEDBACK TTL ENCODER AND HALL SENSOR**
- > **DIGITAL I/O: UP TO 8 DIGITAL INPUTS AND 1 OR 2 DIGITAL OUTPUTS CUSTOMIZABLE WITH SEVERAL BUILT-IN FUNCTIONS**
- > **CONTROL: STANDARD PI CONTROL LOOP**
- > **SERVO MODES: TORQUE, VELOCITY AND POSITION WITH S-CURVE PROFILE**
- > **INTERNAL SCRIPT**
- > **EXTREME COMPACT DESIGN**
- > **USB PROGRAMMING KEY**



INTERFACE

- > **ANALOG VELOCITY AND TORQUE COMMAND $\pm 10V$**
- > **CANopen**



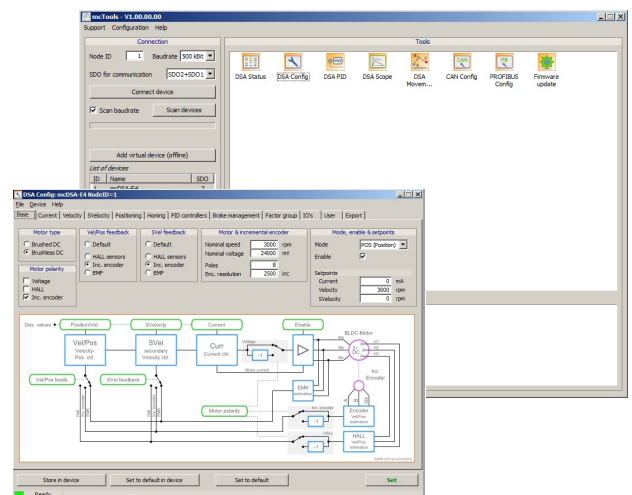
COMPACT AND PROFITABLE

PRODUCT DATA

FEATURE	UNITS	LPRO E40
Input voltage	VDC	48
Efficiency at rated power	%	>95
Auxiliary supply voltage	VDC	9 ... 30
Continuous current	Arms	8
Peak current	Arms	24
Ambient operating temperature	°C	0 to + 40°
Maximum humidity	%	5÷85% not condensing
Mounting method		Wall mounting DIN Rail
Dimensions	LxWxH mm	110x22,5x77
Weight	gr	110
Digital IN		4
Digital OUT		1

LITE PRO USER INTERFACE

- > EASY AND INTUITIVE PC SOFTWARE ALLOWS A FAST PARAMETERIZATION OF THE LITE PRO
- > SIMPLE SCOPE
- > SCRIPT EDITING



DMR SERVO DRIVES

Introducing our DMR PC-6/50 Dual Axis Drives - the ideal solution for bundling with Pallet Conveyor Motorollers 70 and 89. This drive is engineered to ensure optimal performance, reliability, and precise control and accuracy in handling large, heavy items, including pallets. Typically used at the end of the line in material handling applications, this drive feature easy and intuitive commissioning for advanced motion control of two motorollers.

DMR PC-6/50 FEATURES

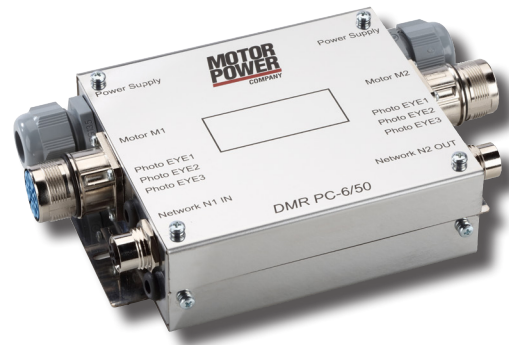
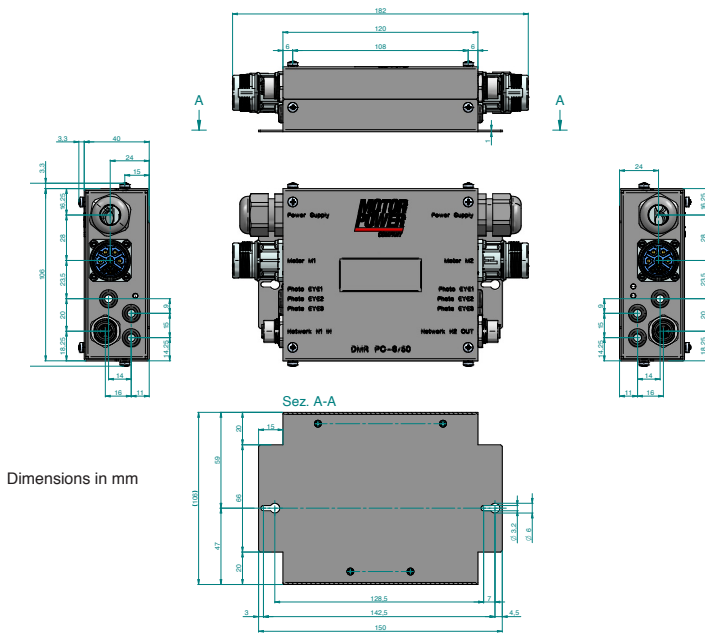
- > **DUAL AXES OPERATION CAPABILITY**
- > **PERFECT MATCH WITH PALLET CONVEYOR 70 AND 89**
- > **I/O PROGRAMMABILITY**
- > **SPEED AND ACCELERATION PROGRAMMABILITY**
- > **HALL SENSOR FEEDBACK**
- > **DMR BROWSER SOFTWARE INTERFACE**
- > **PROFINET I/O, ETHERNET IP, (for each axes) EtherCAT**
- > **3 PHOTO EYE SUPPORT FOR EACH AXIS**
- > **2 INPUT, 2 OUTPUT**
- > **10V ANALOG INPUT**



DMR PC 6/50 PRODUCT DATA

FEATURE	UNITS	DMR PC 6/50
Rated output power	W	350 each axis
Efficiency at rated power	%	>95
Operating supply voltage	Vdc	12-60
Typical supply voltage	Vdc	48
Maximum operating voltage	Vdc	80
Auxiliary supply voltage		24 V (8-30)
Rated output current	Arms	6
Peak output current	Arms	20
Peak time	s	3
PWM switching frequency	kHz	16 kHz
Maximum output frequency	Hz	<600
Commutation		Sinusoidal and space vector
Dimensions	WxDxH mm	182 x 105 x 45
Working temperature	°C	-20 ÷ +55
Storage temperature	°C	-40 ÷ +75
Humidity	%	85% not condensing
Altitude without derating	m	1000
IP protection	IP	20

DMR PC-6/50 PRODUCT DIMENSIONS



DMR PC-6/50 PRODUCT DATA

MOTOR CONNECTION

PIN	FUNCTION	DESCRIPTION
1	Feedback Power Supply	5Vdc
2	Gnd	0 Vdc
3	Hu	Hall Sensor u
4	Hv	Hall Sensor v
5	Hw	Hall Sensor w
A	Mu	Motor Phase
B	Mv	Motor Phase
C	Mw	Motor Phase
FE	Functional earth	Functional earth

POWER SUPPLY

PIN	FUNCTION	DESCRIPTION
1	VP+	Power Supply 48Vdc
2	GND	0 Vdc
4	VL+	Logic Supply 24Vdc

PHOTO EYE PG AND INTERNAL CONNECTOR

PIN	FUNCTION	DESCRIPTION
1	Power Supply	24 V power supply
2	Photo Eye Input 1	Input Signal
3	Gnd	0 Vdc
4	Power Supply	24 V power supply
5	Photo Eye Input 2	Input Signal
6	Gnd	0 Vdc
7	Power Supply	24 V power supply
8	Photo Eye Input 3	Input Signal
9	Gnd	0 Vdc

MOTORS

MOTION CONTROL

MECHATRONICS



Motor Power Company s.r.l.

Via Leonardo Da Vinci, 4
42024 Castelnovo Sotto - Reggio Emilia - Italia
Tel. 0039 0522 682710 - Fax 0039 0522 683552
info@motorpowerco.it

Motor Power Company (Taicang) Motion Co. Ltd.

Workshop 7, Shiny Science Park No. 111
215400 Taicang, P.R.China
Tel + 86-512-33337978 - Fax +86-512-53207871
infoasia@motorpowerco.com



motorpowerco.com